

Installation, Operation and Maintenance Manual

Please read and save these instructions for future reference. Read carefully before attempting to assemble, install, operate or maintain the product described. Protect yourself and others by observing all safety information. Failure to comply with instructions could result in personal injury and/or property damage!

Vektor®-H



Vektor®-HS



Table of Contents

General Safety Information	1
Receiving / Unpacking / Handling / Storage	2
Inspection and Maintenance during Storage	2
Removing from Storage	3
General Information	
Unit and System Identification	3
Pre-Installation Information	3
Electrical Disconnects	3
Moving Parts / Guards	3
Air Pressure and Suction	3
Lifting Information	4
Roof Curb and Mounting Details	4
Duct Installation - Bottom Inlet	5
Side or End	5
Stack Extensions	5
System Assembly	5
Kitchen Roof Mounting Installation	6
Plenum Drainage Piping and Trap Detail	7
Electrical Connections	7
Variable Frequency Drive	8
Pre-Start-Up Checks	8
Maintenance	
Belts / Fasteners and Set Screws	9
Motors	9
Fan Shaft Bearings	9
Bearing Relubrication Schedule	10
Vektor-HS Nozzle Bearings	10
Damper Actuators	10
Parts List and Assembly	11
Maintenance Log	Backcover
Our Commitment	Backcover

General Safety Information

Only qualified personnel should install this fan system. Personnel should have a clear understanding of these instructions and should be aware of general safety precautions. Improper installation can result in electric shock, possible injury due to coming in contact with moving parts, as well as other potential hazards. Other considerations may be required if high winds or seismic activity are present. If more information is needed, contact a licensed professional engineer before moving forward.

1. Follow all local electrical and safety codes, as well as the National Electrical Code (NEC), the National Fire Protection Agency (NFPA), where applicable. Follow the Canadian Electrical Code (CEC) in Canada.
2. The rotation of the wheel is critical. It must be free to rotate without striking or rubbing any stationary objects.
3. Motor must be securely and adequately grounded.
4. Do not spin fan wheel faster than maximum cataloged fan rpm. Adjustments to fan speed significantly effects motor load. If the fan RPM is changed, the motor current should be checked to make sure it is not exceeding the motor nameplate amps.
5. Do not allow the power cable to kink or come in contact with oil, grease, hot surfaces or chemicals. Replace cord immediately if damaged.
6. Verify that the power source is compatible with the equipment.
7. Never open access doors to a duct while the fan is running.

DANGER

Always disconnect power before working on or near a fan. Lock and tag the disconnect switch or breaker to prevent accidental power up.

CAUTION

When servicing the fan, motor may be hot enough to cause pain or injury. Allow motor to cool before servicing.

CAUTION

Precaution should be taken in explosive atmospheres.

Receiving

Greenheck model Vektor-H and Vektor-HS fans are thoroughly inspected, test run at the factory, and shipped on a skid or packaged to minimize damage during shipment. The transportation carrier has the responsibility of delivering all items in their original condition as received from Greenheck. The individual receiving the equipment is responsible for inspecting the unit for obvious or hidden damage and recording any damage on the bill of lading before acceptance of the equipment. All claims (if necessary) shall be filed with the final carrier.

Unpacking

Verify that all required parts and the correct quantity of each item have been received, including accessory kit containing gasketing, etc. If any items are missing, report shortages to your local representative to arrange for obtaining missing parts. Sometimes it is not possible that all items for the unit be shipped together due to availability of transportation and truck space. Confirmation of shipment(s) must be limited to only items on the bill of lading.

Handling

The Vektor-H and Vektor-HS laboratory exhaust system is shipped in subassembly sections for easy rigging and installation. Depending on the fan size, the sections can include: Blower Assembly, Stack Extension, and Discharge Nozzle.

The Vektor-H and Vektor-HS are designed to be self-supporting and standing (without the use of guy wires) when assembled per the instructions provided within this manual. All subassembly sections have lifting lugs as shown.

Storage

Fans are protected against damage during shipment. If the unit cannot be installed and operated immediately, precautions need to be taken to prevent deterioration of the unit during storage. The user assumes responsibility of the fan and accessories while in storage. The manufacturer will not be responsible for damage during storage. These suggestions are provided solely as a convenience to the user.

INDOOR

The ideal environment for the storage of fans and accessories is indoors, above grade, in a low humidity atmosphere which is sealed to prevent the entry of blowing dust, rain, or snow. Temperatures should be evenly maintained between 30° and 110°F. (-1°C and 43°C). Wide temperature swings may cause condensation and “sweating” of metal parts. All accessories must be stored indoors in a clean, dry atmosphere.

Remove any accumulations of dirt, water, ice or snow and wipe dry before moving to indoor storage. To avoid “sweating” of metal parts allow cold parts to reach room temperature. To dry parts and packages use a portable electric heater to get rid of any moisture build up. Leave coverings loose to permit air circulation and to allow for periodic inspection.

The unit should be stored at least 3½ in. (89 mm) off the floor on wooden blocks covered with moisture proof paper or polyethylene sheathing. Aisles between parts and along all walls should be provided to permit air circulation and space for inspection.

OUTDOOR

Fans designed for outdoor applications may be stored outdoors, if absolutely necessary. Roads or aisles for portable cranes and hauling equipment are needed.

The fan should be placed on a level surface to prevent water from leaking into the fan. The fan should be elevated on an adequate number of wooden blocks so that it is above water and snow levels and has enough blocking to prevent it from settling into soft ground. Locate parts far enough apart to permit air circulation, sunlight, and space for periodic inspection. To minimize water accumulation, place all fan parts on blocking supports so that rain water will run off.

Do not cover parts with plastic film or tarps as these cause condensation of moisture from the air passing through heating and cooling cycles.

Fan wheels should be blocked to prevent spinning caused by strong winds.

Inspection and Maintenance during Storage

While in storage, inspect fans once per month. Keep a record of inspection and maintenance performed; see backcover.

If moisture or dirt accumulations are found on parts, the source should be located and eliminated. At each inspection, rotate the wheel by hand ten to fifteen revolutions to distribute lubricant on motor and bearings. If paint deterioration begins, consideration should be given to touch-up or repainting. Fans with special coatings may require special techniques for touch-up or repair.

Machined parts coated with rust preventive coating should be restored to good condition promptly if signs of rust occur. Immediately remove the original rust preventive coating with petroleum solvent and clean with lint-free cloths. Polish any remaining rust from surface with crocus cloth or fine emery paper and oil. Do not destroy the continuity of the surfaces. Wipe clean thoroughly with Tectyl® 506 (Ashland Inc.) or the equivalent. For hard to reach internal surfaces or for occasional use, consider using Tectyl® 511M Rust Preventive or WD-40® or the equivalent.

REMOVING FROM STORAGE

As fans are removed from storage to be installed in their final location, they should be protected and maintained in a similar fashion, until the fan equipment goes into operation.

Prior to assembly and installation of the Vektor fan and system components, inspect the fan assembly to make sure it is in working order.

1. Check all fasteners, set screws on the fan, wheel, bearings, drive, motor base and accessories for tightness.
2. Rotate the fan wheel(s) by hand and assure no parts are rubbing. Access to the wheel is obtained through a bolted panel located on the side of the fan housing.

General Information

To ensure a successful installation, the instructions in this manual should be read and adhered to. Failure to comply with proper installation procedures may void the warranty.

Unit and System Identification Tags

Each fan has a permanently affixed manufacturer's engraved metal nameplate containing the model number and individual serial number.

The tag shown is an example of an identification nameplate on the fan. The information provides general details about



the fan, as well as containing specific information unique to the unit. When contacting your Greenheck representative with future needs or questions, please have the information on this label available. Tags are mounted in an area which is clearly visible, usually on the side of the fan cabinet.

Vektor fan systems may arrive in component pieces due to shipping restrictions. Individual components of a system have matching identification tags which should be used to identify and assemble the complete system. Assembling systems with different identification tags can cause reductions in the fan(s) performance.

Prior to fully assembling and installing the Vektor-H or Vektor-HS fans, inspect bypass air plenums and the fan assembly to make sure they are in working order.

Pre-Installation Information

Before installation, it is important to be certain the mounting surface will bear the operating weight of the unit. For proper unit operation, it is also important that it be operated in a completely level position.

For further details on safety practices involving industrial and commercial fans, please refer to AMCA Publication 410.

Electrical Disconnects

All fan motors should have disconnects located in close visual proximity to turn off electrical service. Service disconnects shall be locked-out when maintenance is being performed.

Moving Parts

All moving parts must have guards to protect personnel. Refer to local codes for requirements as to the number, type and design. Fully secure fan wheel before performing any maintenance. The fan wheel may start "free wheeling" even if all electrical power has been disconnected. Before the initial start-up or any restart, check the following items to make sure that they are installed and secure.

- Do not spin fan wheel faster than the maximum cataloged fan rpm.
- Adjustments to fan speed significantly affects motor load. If the fan RPM is changed, the motor current should be checked to make sure it is not exceeding the motor nameplate amps.

Guards (Motor Cover, Weatherhoods)

Do not operate fans without proper protective devices in place. Failure to do so may result in serious bodily injury and property damage. Check local codes to ensure compliance for all protective devices.

Air Pressure and Suction

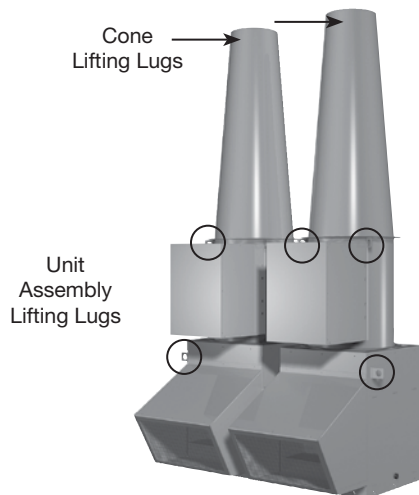
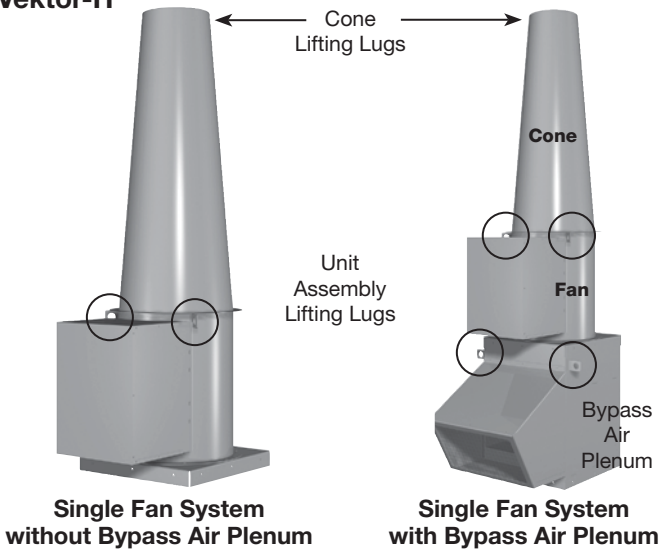
In addition to the usual hazards associated with rotating machinery, fans also create a dangerous suction at the inlet. Special caution needs to be used when moving around a fan, whether it is in operation or not. Before start-up, make sure the inlet area is clear of personnel and loose objects.

Lifting Information

CAUTION

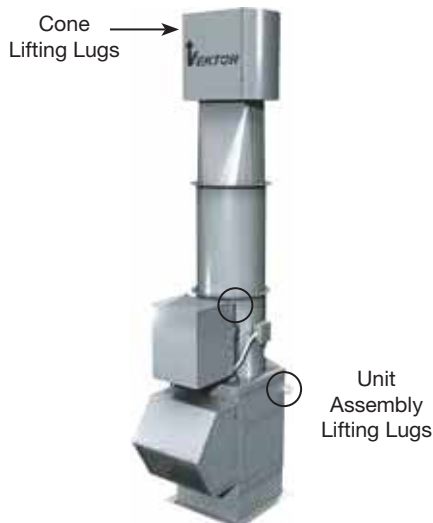
The cone is to be lifted by the cone lifting lugs, separately and individually from the fan assembly.

Vektor-H



Multiple Fan System with Bypass Air Plenum

Vektor-HS with SÄVVE Technology



Roof Curb and Mounting Details

NOTE

Steel, concrete or wood roof support is per structural engineer and in accordance with load requirements and applicable building codes.

The figures below illustrates three common methods used to install Vektor systems. Methods used to attach a Vektor unit are dependent on local codes, roof construction design and roof construction materials. Consult an architect or structural engineer for proper means of attachment.

Steel

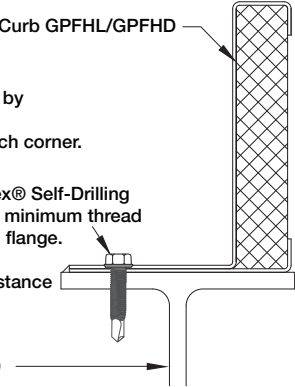
Greenheck Roof Curb GPFHL/GPFHD

Continuous weld or stitch weld.
Minimum 6 inch (152.4 mm) stitch weld by 3.25 inch (82.5 mm) spacing minimum.
Minimum 6 inch (152.4 mm) weld on each corner.

OR

Install 5/16 inch (7.9375 mm) 24 Dril-Flex® Self-Drilling Tapping Screws. 3/16 inch (4.7625 mm) minimum thread engagement into A36 steel, centered in flange.
4.5 inch (114.3 mm) spacing
5/8 inch (15.875 mm) minimum edge distance
ALL HARDWARE BY OTHERS

STEEL STRUCTURAL SUPPORT
(BY OTHERS, SEE NOTE ABOVE)

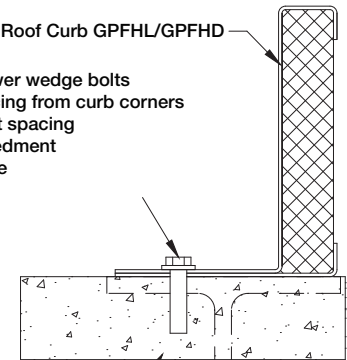


Concrete

Greenheck Roof Curb GPFHL/GPFHD

Install 3/8 inch (9.525 mm) SS power wedge bolts
2.5 inch (63.5 mm) maximum spacing from curb corners
4.5 inch (114.3 mm) maximum bolt spacing
3.5 inch (88.9 mm) minimum embedment
4.5 inch (114.3 mm) minimum edge distance centered in flange
ALL HARDWARE BY OTHERS

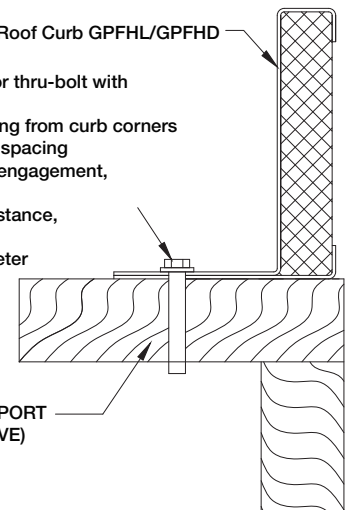
CONCRETE STRUCTURAL SUPPORT
(BY OTHERS, SEE NOTE ABOVE)



Greenheck Roof Curb GPFHL/GPFHD

Install 3/8 inch (9.525 mm) SS lag or thru-bolt with 1 inch (25.4 mm) O.D. washer
2.5 inch (63.5 mm) maximum spacing from curb corners
4.5 inch (114.3 mm) maximum bolt spacing
3.5 inch (88.9 mm) minimum tread engagement, not including tapered tip
2 inch (50.8 mm) minimum edge distance, centered in flange
Pre-drill holes 40-60% of lag diameter
ALL HARDWARE BY OTHERS

WOODEN STRUCTURAL SUPPORT
(BY OTHERS, SEE NOTE ABOVE)

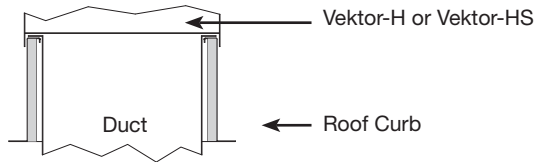


Duct Installation

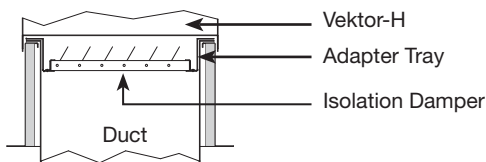
Bottom Inlet Duct Connection

The end of the duct (customer-supplied) is secured between the roof curb's top edge and the curb cap of either the Vektor-H or bypass air plenum. If an isolation damper is present in the roof curb, the duct is located between the roof curb and the damper adapter tray.

- Option 1:**
- No isolation damper in roof curb
 - Bottom inlet on bypass air plenum



- Option 2:**
- With isolation damper in roof curb



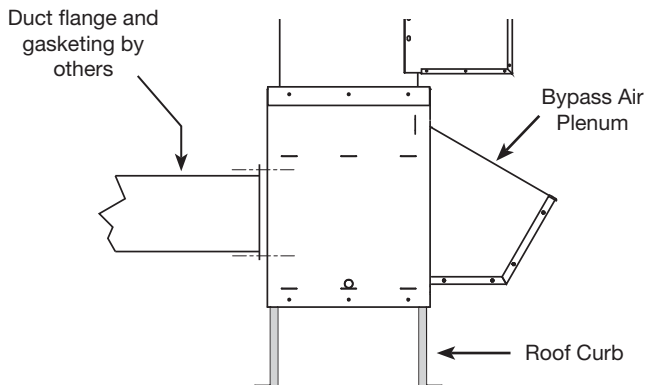
Duct Connection to Curb

Side or End Duct Connection

- Vektor-H or Vektor-HS
- With bypass air plenum

NOTE

Plenum is provided with removable side or end panels, allowing the proper duct connection.



Duct to Bypass Air Plenum

Stack Extensions

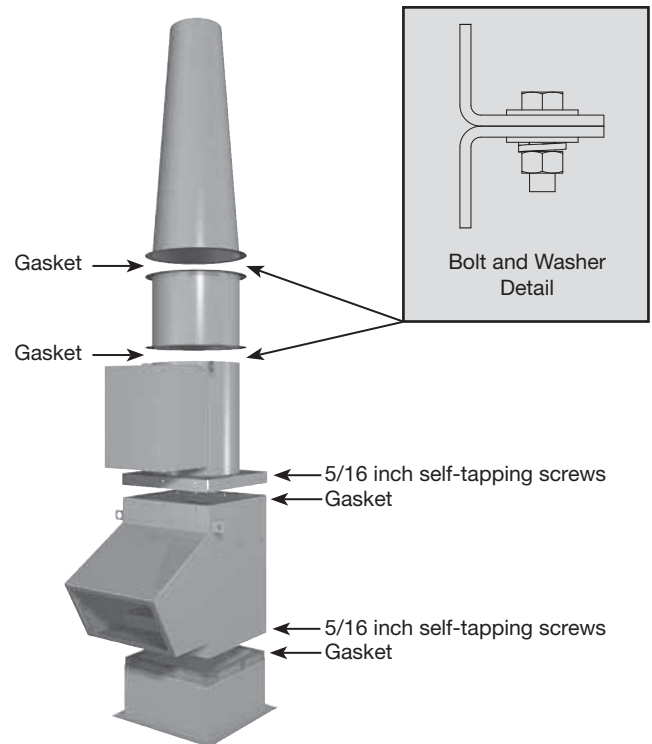
Systems with multiple stack extensions require all sections assembled and installed on site between the main fan body and the discharge cone. Each section has guy wire attachment brackets located on the upper end of each section. The order sections are installed in are universal. Gasketing (3/16 x 1/2 inch with sticky back) is provided and is to be installed between each joining section.

Guy wires are required on system with multiple stack extensions. Location of connections, wiring and anchorage is determined by a structural engineer.

System Assembly

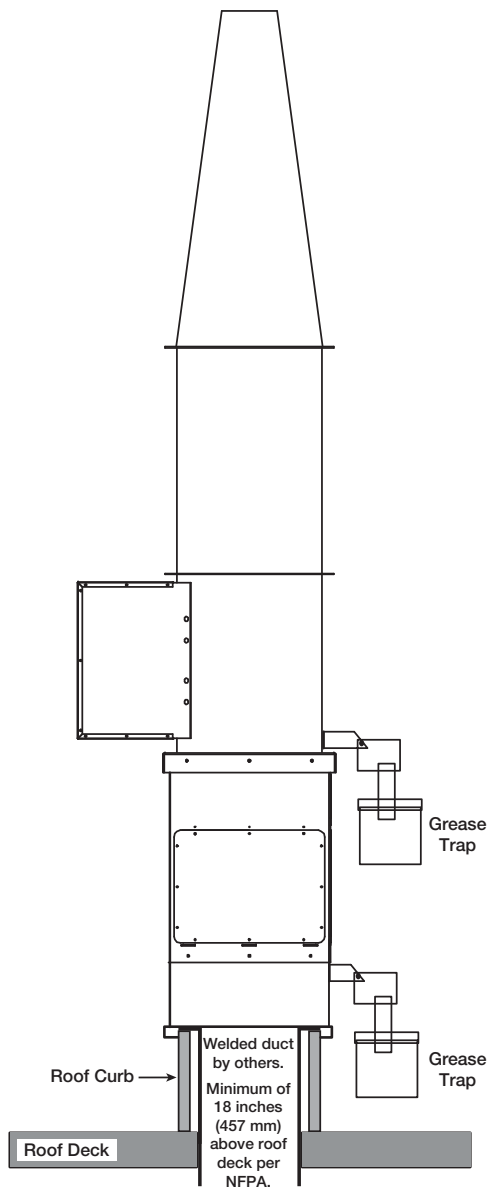
NOTE

When installing each section, be certain to rig each section separately using the lifting lugs provided.



1. Mount roof curb to roof deck in accordance with local codes.
2. Install 3/16-inch thick x 1/2-inch wide, closed-cell gasket on the top edge of the curb, adhesive side down (gasket provided). Leave no gaps between gasket sections to ensure tight seal.
3. Place the bypass air plenum (BAP) onto the previously installed gasket and secured roof curb. If a BAP is not provided for the unit, skip to Step 5. Pre-drill pilot holes into the roof curb and attach the BAP to the roof curb with mounting hardware (by others).
4. Install 3/16-inch thick x 1/2-inch wide, closed-cell gasket on the top edge of BAP, adhesive side down (gasket provided). Leave no gaps between gasket sections to ensure a tight seal.
5. Place the curb cap of the fan housing onto the gasket and BAP or onto roof curb if BAP is not provided. Attach the curb cap using the provided 5/16-inch self-tapping screws. If a BAP is not provided, pilot holes must be drilled into the roof curb.
6. Install the final nozzle subassemblies as shown in the submittal drawing. Align flange bolt holes and fasten sections using the 316 stainless steel bolts, washers, and lock washers provided.
7. Follow electrical connection and pre-start-up checks as listed on pages 7 and 8.

Kitchen Roof Mounting Installation



Typical Commercial Kitchen Installation

WARNING

In a kitchen exhaust application, do not use a speed control or isolation damper.

NOTE

In a kitchen fan and high temperature applications exhaust upblast fans must have external wiring.

UL/cUL 762 installation are for restaurant applications.

1. The size of the duct must be equal to the inlet opening.
2. Secure the fan to curb at all four corners using a minimum eight anchor bolts, lag screws or other suitable fasteners.
3. Use optional grease trap and external junction box.
4. Area codes may require a continuous weld between duct and inlet.
5. To comply with NFPA 96, the discharge is required to be a minimum of 40 inches (1016 mm) above the roof deck and a minimum of 10 ft. from any building air intake. The minimum velocity in the duct should be 500 ft/min. or greater.
6. Ductwork to an upblast discharge exhaust fan is constructed of carbon steel not less than 16 MSG (1.6 mm) and extends a minimum of 18 inches (457 mm) above the roof surface.
7. Ensure that a minimum of 500 ft/min. of air velocity through the fan is maintained per NFPA 96, clause 8.2.1.1, 2008 edition and UL 762, Issue #5, December 19, 2003, clause 6.2.

Grease Trap

A grease trap is an aluminum trap designed to collect grease residue to avoid drainage onto roof surface. It contains a built-in water separating baffle.

Instructions

1. Apply cover to grease trap. Install clip nuts to trap over holes provided. Attach cover with two #10 - 24 x 1/2 fasteners.
2. Position the container under the grease drain so the drain spout enters the cover approximately 1 1/2 to 2 in. (38-51 mm).
3. Locate and mark the container mounting holes on the extended base or roof curb.
4. Drill 3/16 in. (5 mm) diameter holes in marked locations.
5. Apply container with #10 - 24 x 3/4 fasteners.
6. For most climates, fill container with water (at installation and after each cleaning) until it flows out the drain hole. The unit is now ready for use.

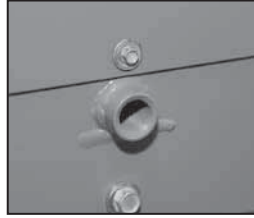
Maintenance

Regular inspection of grease trap is recommended. Depending on the amount of grease discharged through the fan, the grease trap should be changed accordingly to ensure proper operation.

Plenum Drainage Piping / Trap Detail (By Others)



Fan Drain Connection



Plenum Drain Connection

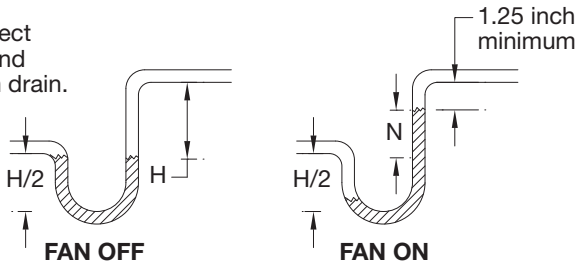
There is a location for a pipe connection on each tubular fan housing and bypass air plenum. Each drain may need to be connected to a drainage system to ensure proper disposal of any water or condensate that may occur.

- Drain connections are 0.5 inch NPT
- Installed piping to have a downward angle to allow for drainage
- Fill traps to recommended level before start-up

Note: A conservative method of trap design is to set $N = \text{total static pressure}$.

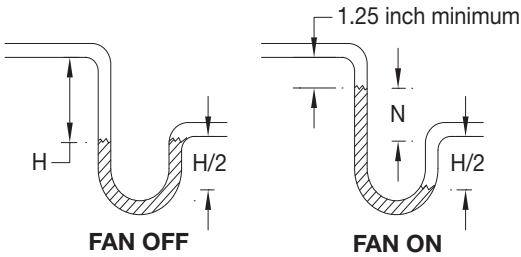
Positive Pressure Trap on Tubular Fan Housing

Connect this end to fan drain.



$N = \text{Negative fan pressure (inches W.C.)}$
 $H = N - (0.5 \text{ inches minimum})$

Negative Pressure Trap on Bypass Air Plenum



$N = \text{Negative fan pressure (inches W.C.)}$
 $H = N - (0.5 \text{ inches minimum})$

Electrical Connections

NOTE

Refer to the Vektor-HS SÄVVE controls Installation, Operation and Maintenance Manual for electrical wiring and connection information.

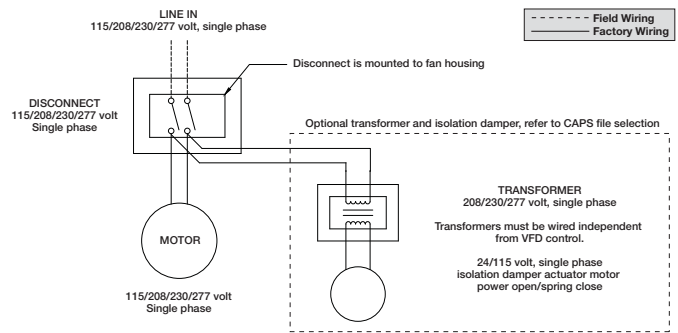
Before electrical connections are made, the supply voltage, phase and ampere capacity must be checked

for compatibility with the fan motor. In addition, the supply wiring must be properly fused and conform to local and national electrical codes. If the unit is supplied with a safety disconnect switch, ensure proper wiring to the fan motor. Be sure the disconnect is switched to the "OFF" position before connecting supply wires. If no disconnect is supplied, ensure the supply wire is not live before connection. Supply wires are then connected to the optional safety disconnect switch (if supplied) or motor.

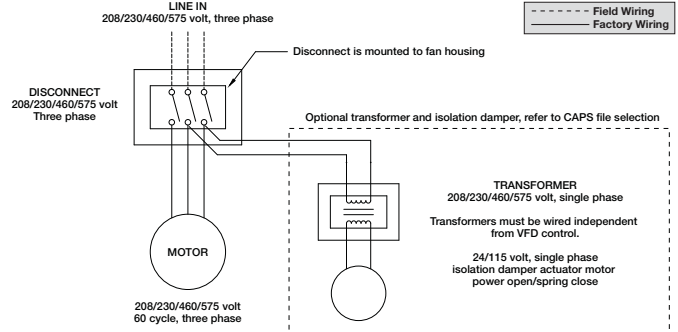
Vektor-H Motor Disconnect and Isolation Damper Wiring Diagram

Disconnect is mounted to fan housing. Transformers are mounted to bypass air plenum with damper actuator motors. For systems that ship unassembled because of physical size, this connection at disconnect from transformers must be field-installed. Wires with conduit and fittings are provided pre-connected to transformers.

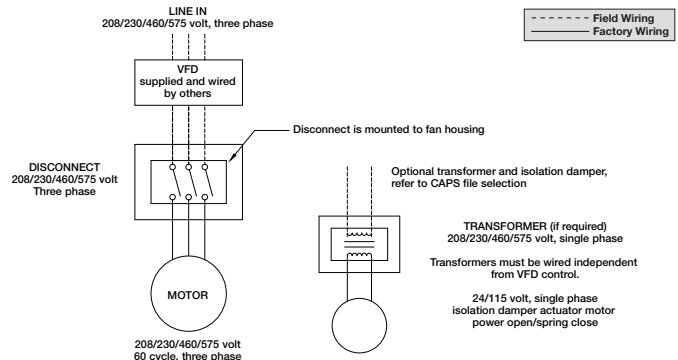
Single Phase Layout



Three Phase Layout



Three Phase with Variable Frequency Drives Layout



Vektor-H Applications with Variable Frequency Drive (VFD)

For Vektor systems with single-point, three-phase wiring per blower, the isolation damper actuator will be powered via a step-down transformer, which is wired to the fan disconnect, as shown in the wiring diagrams on page 7.

If fan flow (motor speed) is to be controlled using a variable frequency drive with this wiring, the reduced voltage and frequency supplied to the fan will cause control problems with the isolation damper actuator.

When a project's Vektor control sequence requires the use of a VFD, it is suggested that the control contractor supply the isolation damper actuator voltage, independent of the power supplied to the Vektor fan motor.

NOTE

For Vektor-HS fans provided from the factory with a VFD, refer to the Vektor-HS SÄVVE controls Installation, Operation and Maintenance Manual for electrical wiring and connection information.

Pre-Start-Up Checks

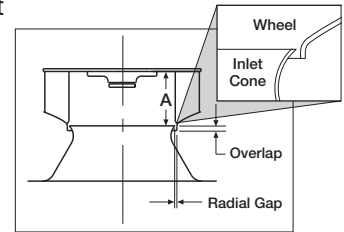
Check all fasteners for tightness.

Check radial gap, overlap and wheel alignment. The wheel should be aligned as shown. Although the wheel position is preset and the unit is test run at the factory, movement may occur during shipment.

The radial gap should be consistent at all locations between the centrifugal wheel and the inlet cone.

Centering may be accomplished by loosening the inlet cone bolts and repositioning the inlet cone.

To obtain the optimum performance, the centrifugal wheel must overlap the inlet cone. Adjustments can be made by loosening the set screws in the wheel and moving the wheel to the desired position.



Wheel rotation should be in the same direction

as the rotation decal affixed to the unit. (Clockwise rotation is correct as viewed from fan inlet). For 3-phase installations, fan rotation can be reversed by simply interchanging any two of the three electrical leads. For single phase installations, follow the wiring diagram located on the motor.

NOTE

Any increase in fan speed represents a substantial increase in horsepower required from the motor. Always check motor load amperage and compare to nameplate rating when changing fan speed.

Unit Size	Inlet Cone to Backplate			
	A Dimension ± Tolerance (in.)		A Dimension ± Tolerance (mm)	
9	3 3/16	± 1/8	81	± 3
10	3 7/16	± 1/8	87	± 3
12	4	± 1/8	102	± 3
13	4 7/16	± 1/8	113	± 3
16	5 7/16	± 1/8	138	± 3
18	6 3/8	± 1/8	162	± 3
22	7 13/16	± 3/16	198	± 5
24	8 5/8	± 1/4	219	± 6
30	10 9/16	± 3/8	268	± 10
36	12 3/4	± 3/8	324	± 10

Radial Gap is adjusted by loosening the inlet cone bolts and centering the cone on the wheel. If additional adjustment is required to maintain a constant radial gap, loosening the bearing bolts and centering the wheel is acceptable as a secondary option.

Overlap or offset, is adjusted by loosening the wheel hub from the shaft and moving the wheel to the desired position along the shaft. The transition between the inlet cone and wheel should be as shown; there is a smooth feel to the profile when moving from one component to the other.

Maintenance

WARNING

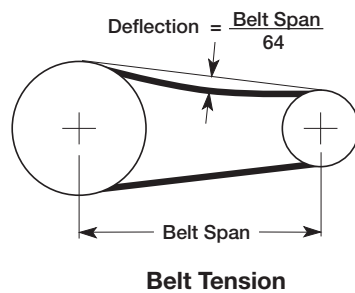
Disconnect all electrical power to the fan and secure to the 'OFF' position prior to inspection or servicing. Failure to comply with this safety precaution could result in serious injury or death.

Once the fan has been put into operation, a periodic maintenance program should be set up to preserve the reliability and performance of the fan. Items to be included in this program are:

- Belts
- Fasteners
- Set Screws
- Motors
- Removal of dust and dirt
- Fan shaft bearings
- Vektor-HS nozzle bearings
- Relubrication schedule

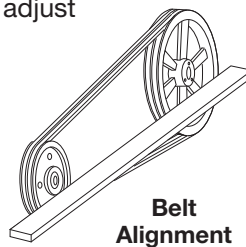
Belts

Premature belt failures are frequently caused by improper belt tension (either too tight or too loose) or misaligned pulleys. The proper tension for operating a V-belt is the lowest tension at which the belts will not slip at peak load conditions. For initial tensioning, the proper belt deflection half-way between pulley centers is 1/64 inch for each inch of belt span. For example, if the belt span is 64 inches, the belt deflection should be one inch using moderate thumb pressure at midpoint of the drive.



Check belt tension two times during the first 24 hours of operation and periodically thereafter. To adjust belt tension, simply loosen four fasteners (two on each side of the motor plate) and slide the motor plate away from the fan shaft until proper belt tension is attained. On some fans, fasteners attaching the motor to the motor plate must be loosened in order to adjust the belt.

It is very important that the drive pulleys remain in proper alignment after adjustments are made. Misalignment of pulleys will result in premature belt wear, noise, vibration and power loss.



Fasteners and Set Screws

A periodic inspection should include checking all fasteners and set screws for tightness. Particular attention should be paid to set screws attaching the wheel to the shaft.

Motors

Many fractional horsepower motors installed on the smaller fans are lubricated for life and require no further attention. Motors supplied with grease fittings should be greased according to directions printed on the motor.

Removal of Dust and Dirt

Dirt clogs cooling openings on the motor housing, contaminates bearing lubricant, and collects on the impeller causing severe imbalance if left unchecked. The exterior surface of the motor and impeller should be thoroughly cleaned periodically. Use caution and do not allow water or solvents to enter the motor or bearings. Under no circumstances should motors or bearings be sprayed with steam or water.

Fan Shaft Bearings

The bearings for Greenheck fans are carefully selected to match the maximum load and operating conditions of the specific class, arrangement, and fan size. The instructions provided in this manual and those provided by the bearing manufacturer will minimize any bearing problems. Bearings are the most critical moving part of the fan; therefore, special care is required when mounting them on the unit and maintaining them. Locking collars and set screws, in addition to fasteners attaching the bearing to the bearing plate must be checked for tightness. Greenheck Fan Corporation recommends bearings to be relubricated quarterly at a minimum. All Vektor-H and Vektor-HS fans use Mobil Mobilith SHC 100 synthetic grease conforming to NCGI Grade 2. Never mix greases made with different bases as this will cause a breakdown of the grease and possible failure of the bearing. For specific information, contact the factory representative or the fan system submittals.

- For conditions including temperatures, moisture, dirt or excessive vibration, consult the factory for a specific lubrication interval for your application.
- Lubricant should be a high quality lithium complex synthetic grease conforming to NLGI Grade 2.
- The use of non-synthetic grease will decrease lubrication intervals by approximately 3 times.
- Storage periods of 3 months or longer require monthly rotation of the shaft and purging grease prior to storage and start-up.

Recommended Bearing Lubrication Schedule Relubrication Schedule in Months*				
Fan Size	9 - 13	16 - 22	24	30 - 36
Fan RPM	Bearing Bore (inches)			
	1/2 - 1	1 1/8 - 1 1/2	1 5/8 - 1 7/8	1 15/16 - 2 3/16
to 250	12	12	12	12
500	12	12	12	12
750	12	12	12	12
1000	12	12	12	12
1250	12	12	12	12
1500	12	12	12	10
2000	12	10	8	6
2500	12	7	5	4
3000	12	5	3	2
3500	12	3	2	0.75
4000	12	2	0.5	
5000	12	1		
Number of shots of grease**	4	8	8	10

* Lubrication interval is based on 12 hour per day operation and maximum 160°F. housing temperature. For 24 hour per day operation, the interval should be cut in half.

** Lubricant should be added with the shaft rotating and until clean grease is seen purging from the bearing. The lubrication interval may be modified based on the condition of the purged grease. If bearing is not visible to observe purged grease, lubricate with number of shots indicated for bore size.

Vektor-HS Nozzle Bearings

The bearings for the HS nozzle assembly are permanently lubricated and do not require additional grease.

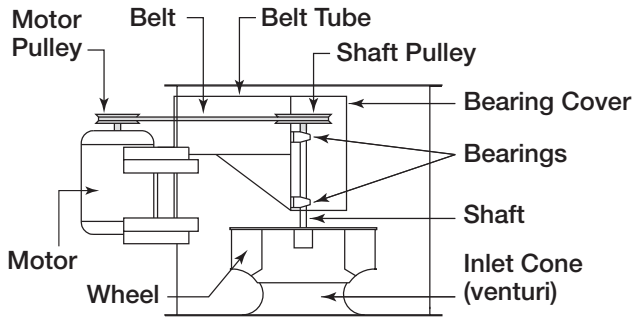
Damper Actuators

Damper actuators, when supplied by manufacturer, are designed to be maintenance free. No lubrication is required.

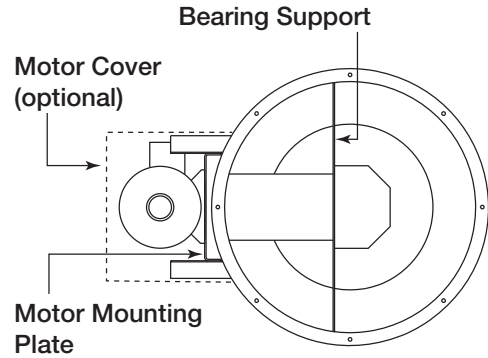
Vektor-H and Vektor-HS Exhaust Fan Parts List and Assembly

Each fan bears a manufacturer's nameplate with model number and serial number embossed. This information in addition to the parts list shown, will assist the local Greenheck representative and the factory in providing service and replacement parts.

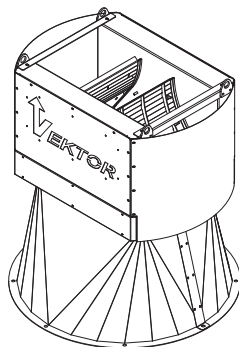
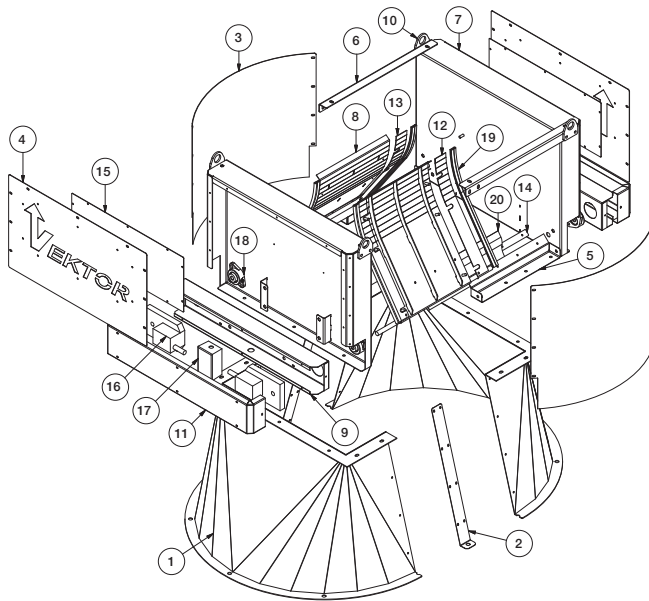
Side View



Top View



Vektor-HS Nozzle Parts List and Assembly



Item	Quantity	Description
1	2	Transition Weld
2	2	Transition side cover
3	2	Wind wrap round
4	2	Wind wrap flat
5	2	Frame bottom bar
6	2	Frame top bar
7	2	Frame weld
8	2	Blade weld
9	1 or 2*	Actuator mount
10	4	Lifting lug
11	1 or 2*	Actuator cover
12	2	Blade seal, right
13	6	Blade seal, left
14	4	Flex backing
15	2	Vektor backing
16	1 or 2*	Actuator
17	1	Electrical box
18	4	Bearing
19	4	Blade seal
20	2	Flex seal

*Quantity 1 for sizes 9 thru 13
Quantity 2 for sizes 16 thru 36

Maintenance Log

Date _____ Time _____ AM/PM
Notes: _____

Date _____ Time _____ AM/PM
Notes: _____

Date _____ Time _____ AM/PM
Notes: _____

Date _____ Time _____ AM/PM
Notes: _____

Date _____ Time _____ AM/PM
Notes: _____

Date _____ Time _____ AM/PM
Notes: _____

Date _____ Time _____ AM/PM
Notes: _____

Date _____ Time _____ AM/PM
Notes: _____

Our Commitment

As a result of our commitment to continuous improvement, Greenheck reserves the right to change specifications without notice.

Specific Greenheck product warranties are located on greenheck.com within the product area tabs and in the Library under Warranties.

Greenheck Vektor-H and the Vektor-HS with SÄVVE Technology catalogs provide additional information describing the equipment, fan performance, available accessories, and specification data.

AMCA Publication 410-96, Safety Practices for Users and Installers of Industrial and Commercial Fans, provides additional safety information. This publication can be obtained from AMCA International, Inc. at www.amca.org.

